

Cable Substitution Chart

Per 2002 NEC[©]

FIRE-RESISTANCE LEVEL

Test Requirements

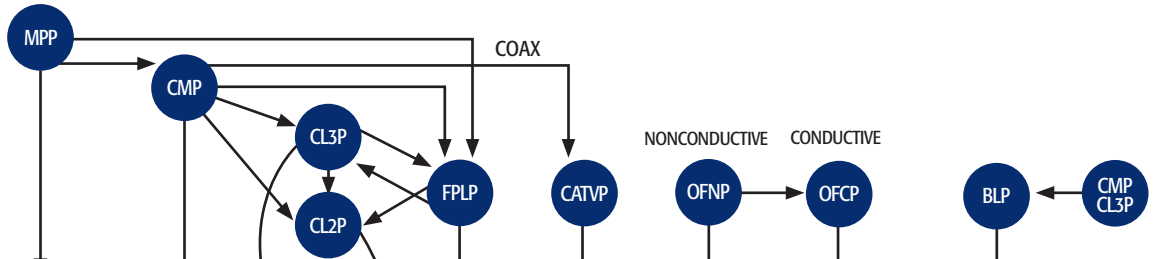
NEC ARTICLES

800 725 760 820 770 830

PLENUM

4 (Highest)

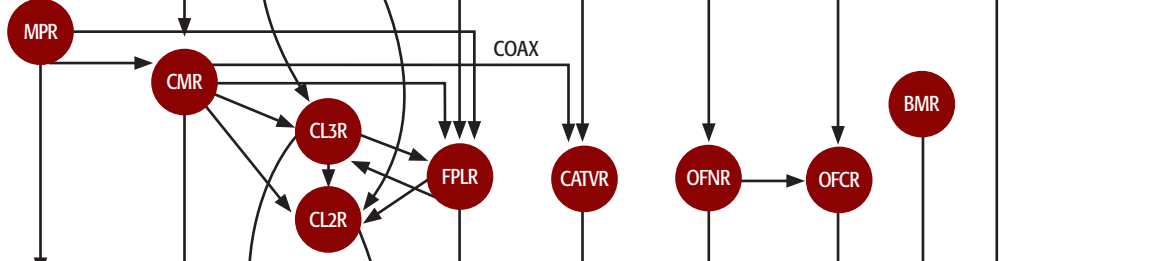
NFPA 262
(UL-910
Steiner Tunnel)



RISER

3

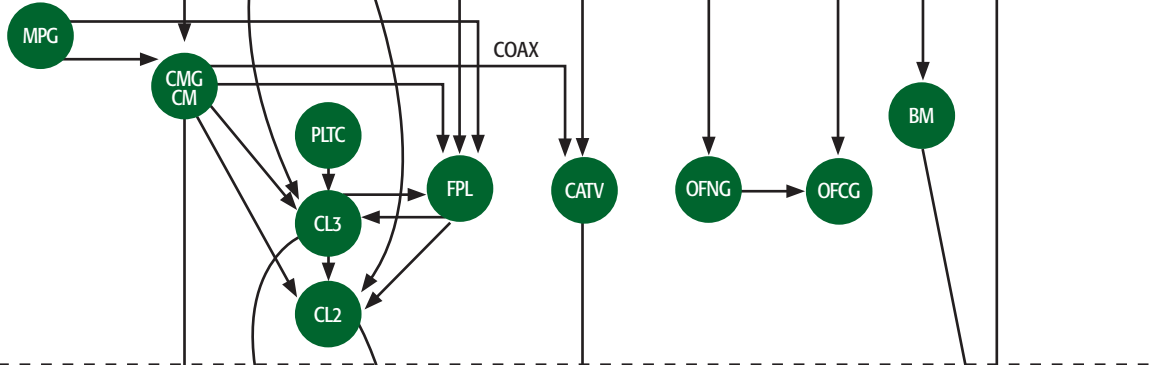
UL-1666
(Vertical Shaft)



GENERAL PURPOSE

2

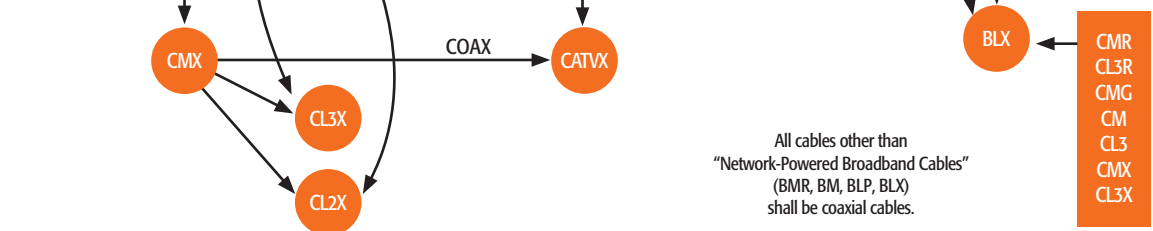
UL-1581
(Vertical Tray
or CSA FT4)



RESIDENTIAL

1 (Lowest)

UL-1581
VW-1
(Vertical Flame)



All cables other than
"Network-Powered Broadband Cables"
(BMR, BM, BLP, BLX)
shall be coaxial cables.

CMR
CL3R
CMG
CM
CL3
CMX
CL3X

→ Cables indicated can be substituted

NEC Type	Definition
MPP, MPR, MPG, MP	Multipurpose Cables
CMP, CMR, CMG, CM, CMX	Communications Cables
CL3P, CL3R, CL3, CL3X, CL2P, CL2R, CL2, CL2X	Class 2 and Class 3 Remote-Control, Signaling and Power Limited Cables
FPLP, FPLR, FPL	Power Limited Fire Alarm Cables
CATVP, CATVR, CATV, CATVX	Community Antenna Television and Radio Distribution Cables
OFNP, OFNR, OFNG, OFN	Nonconductive Optical Fiber Cables
OFCP, OFCR, OFCG, OFC	Conductive Optical Fiber Cables
PLTC	Power Limited Tray Cables
BMR, BM, BLP, BLX	Network-powered Broadband Communications Cable